

MATOR Rolling towers

2024



CE
0769



Swiss Engineering.
Swiss Technology.

MATOR Rolling towers

Quickly assembled and easily secured.



MATOR Rolling towers

Quickly assembled and easily secured.



Ein System für alle Fälle

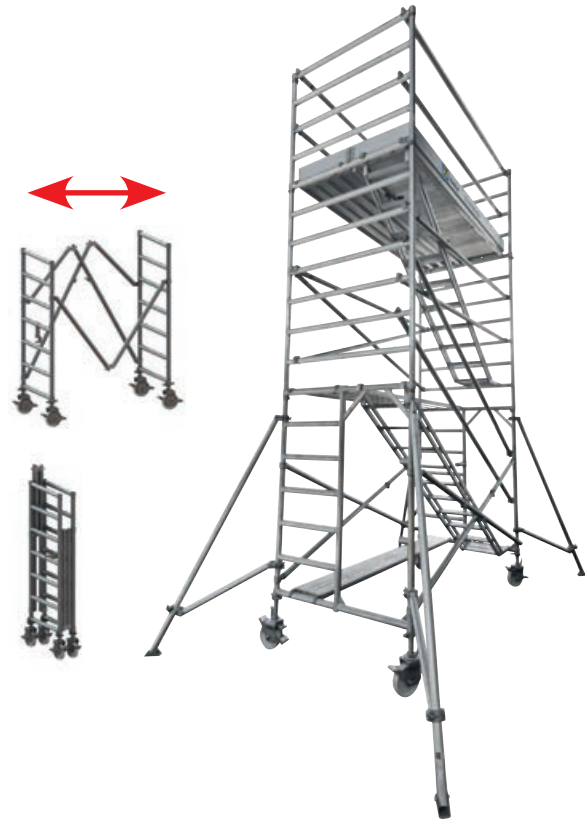
The MATOR system is available as a folding version or with single frame construction in widths of 70 cm and 135 cm. Thanks to the ingenious folding construction, MATOR can be assembled and dismantled very easily and quickly – by just one person!

Highest economic efficiency

With the lightweight yet stable MATOR, you save a lot of time and money. The aluminium construction is assembled in a flash and can be stored and transported in a space-saving way.

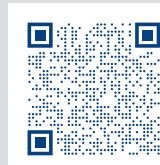
Tested safety

All scaffolding elements are made of aluminium and are subjected to the strictest quality and safety controls. The rolling tower is tested and certified for electrical conductivity by SWISS TS.



TESTED

This product complies with the applicable health and safety protection requirements within the EU and EEA.



Video

Assembly by
1 person



Your advantages at a glance

- Assembled in a flash
- Extremely economical
- Lightweight aluminium structure
- Electrical conductivity certified
- Extremely stable
- Foldable or as single frame
- Maximum safety certified according to EN 1004 2005/EN 1298 1996

Attractive financing

We'll be happy to offer you a trade-in on your old rolling scaffolding.

MATOR Rolling towers

Aluminum lightweight construction with high payload.

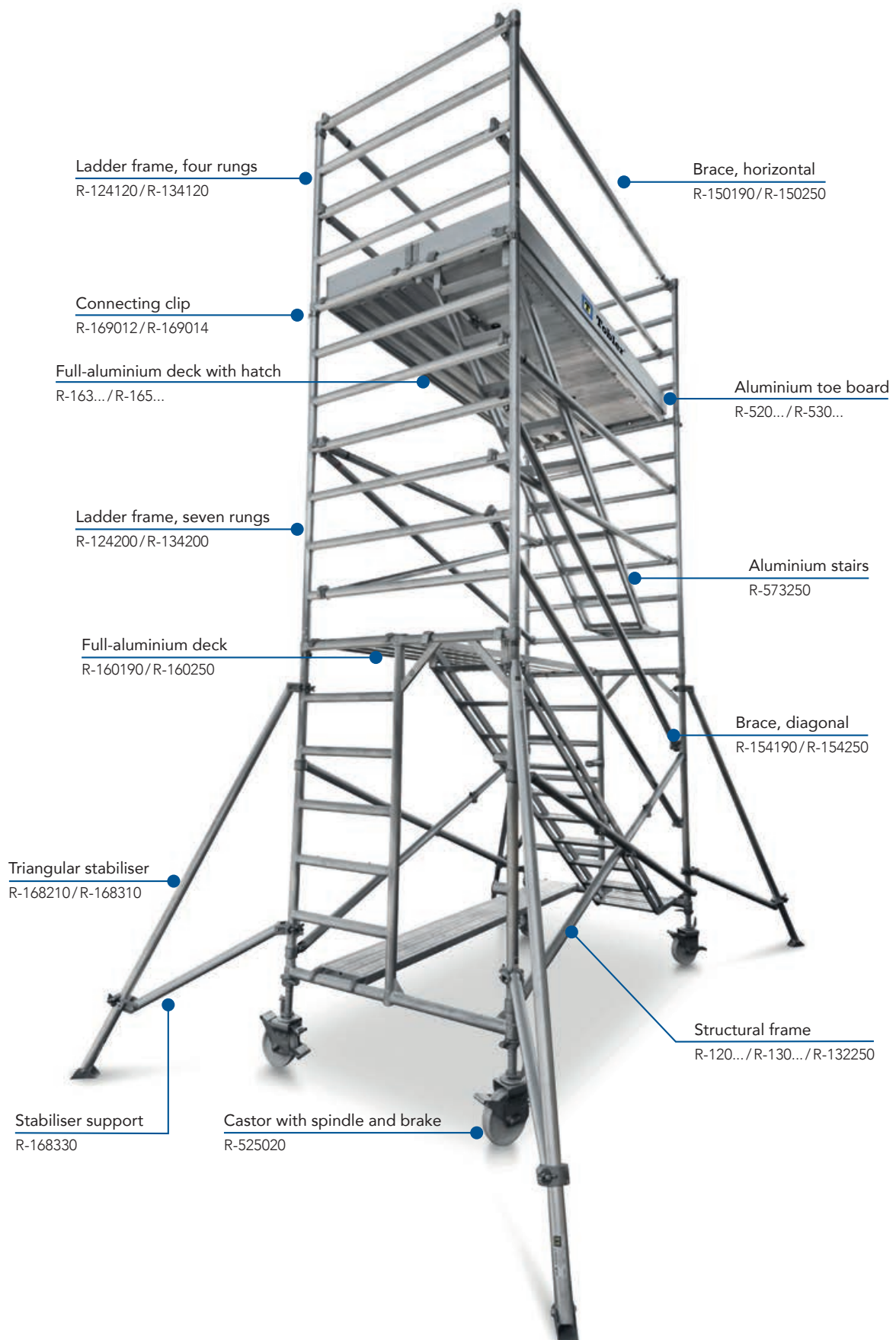
Scaffolding work platforms and mobile work platforms

Models	MATOR
Types	70 × 190 cm 70 × 250 cm 135 × 190 cm 135 × 250 cm
Characteristic data	
Scaffolding group	3
Permissible load	2,0 kN/m ²
Scaffolding widths	0,70 m – 1,35 m
Scaffolding lengths	2,50 m – 8,00 m in the outdoor area
Scaffolding heights	2,00 m – 12,00 m in the indoor area up to 2,00 m as small scaffolding
Material	Aluminium alloy
Tested according to	DIN EN 1004 2005 / DIN EN 1298 1996
Certificate	No. Z1A 12 12 56537 004

**Electrical conductivity certified by SWISS TS.
Detailed information on the certificate on
request.**

MATO R Rolling towers

Aluminum lightweight construction with high payload.



MATOR Rolling towers

70 cm × 190 cm foldable.

Aluklick Light 70 × 190 cm



1. You do not need any tools to assemble the MATOR.

2. The structural frame is simply and quickly unfolded.

3. One «click» and your MATOR is ready within a few seconds.

Article no.	Elevation up to Working height	R-110002	R-110003	R-110004	R-110006
		190 cm	190 cm 390 cm	190 cm 390 cm	310 cm 510 cm
R-525020	Castor with 80cm spindle and brake	4 pcs.	4 pcs.	4 pcs.	4 pcs.
R-120190	Structural frame, 70×190 cm	1 pc.	1 pc.	1 pc.	1 pc.
R-124120	Ladder frame, 120×70 cm, four rungs				2 pcs.
R-124200	Ladder frame, 200×70 cm, seven rungs				
R-124100	Protective frame, 100×70 cm		2 pcs.	2 pcs.	2 pcs.
R-150190	Brace, horizontal, 190 cm		2 pcs.	4 pcs.	6 pcs.
R-154190	Brace, diagonal, 190 cm				2 pcs.
R-163190	Platform, aluminium, 60×190 cm, with hatch and wind shield		1 pc.	1 pc.	1 pc.
R-160190	Platform, aluminium, 60×190 cm	1 pc.			1 pc.
R-520190	Toe board, aluminium, 70×190 cm			1 pc.	1 pc.
R-168210	Triangular brace, small			4 pcs.	4 pcs.
R-168310	Triangular brace, large				
R-169010	Counterweight with coupling, 10kg				
R-169012	Connecting clip, short pin	4 pcs.	4 pcs.	4 pcs.	8 pcs.
R-135010	Mounting bracket			1 pc.	1 pc.

MATOR Rolling towers

70 cm × 190 cm foldable.



1. You do not need any tools to assemble the MATOR.

2. The structural frame is simply and quickly unfolded.

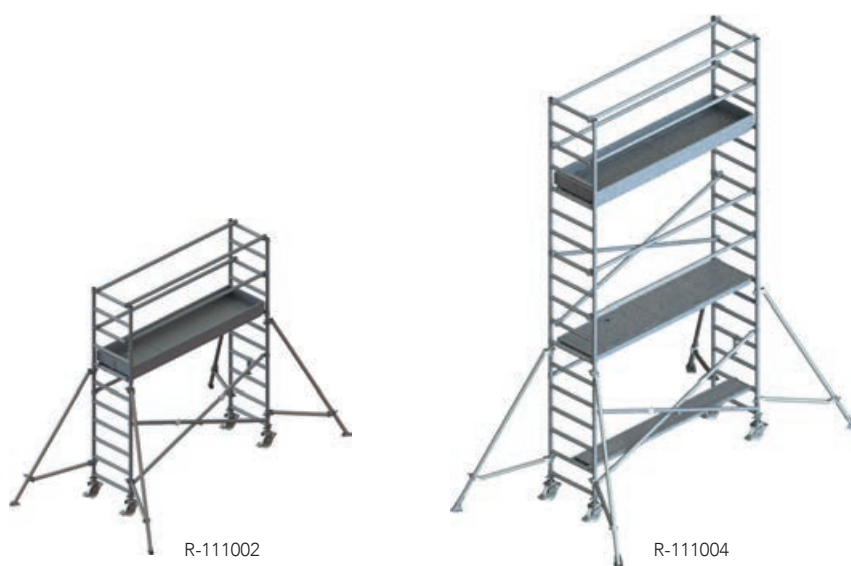
3. One «click» and your MATOR is ready within a few seconds.

Article no.	Elevation up to Working height	R-110008	R-110010	R-110012
R-525020	Castor with 80cm spindle and brake	4 pcs.	4 pcs.	4 pcs.
R-120190	Structural frame, 70 × 190 cm	1 pc.	1 pc.	1 pc.
R-124120	Ladder frame, 120 × 70 cm, four rungs	2 pcs.	4 pcs.	2 pcs.
R-124200	Ladder frame, 200 × 70 cm, seven rungs	2 pcs.	2 pcs.	4 pcs.
R-124100	Protective frame, 100 × 70 cm			
R-150190	Brace, horizontal, 190 cm	8 pcs.	10 pcs.	12 pcs.
R-154190	Brace, diagonal, 190 cm	2 pcs.	4 pcs.	4 pcs.
R-163190	Platform, aluminium, 60 × 190 cm, with hatch and wind shield	2 pcs.	2 pcs.	3 pcs.
R-160190	Platform, aluminium, 60 × 190 cm			
R-520190	Toe board, aluminium, 70 × 190 cm	1 pc.	1 pc.	1 pc.
R-168210	Triangular brace, small			
R-168310	Triangular brace, large	4 pcs.	4 pcs.	4 pcs.
R-169010	Counterweight with coupling, 10 kg			
R-169012	Connecting clip, short pin	12 pcs.	16 pcs.	16 pcs.
R-135010	Mounting bracket	1 pc.	1 pc.	1 pc.

MATO R Rolling towers

70 cm × 250 cm.

Aluminium rolling tower 70 × 250 cm



Article no.	Elevation up to Working height	R-111002	R-111004
R-525020	Castor with 80 cm spindle with brake	4 pcs.	4 pcs.
R-120250	Structural frame, 135 × 250 cm	1 pc.	1 pc.
R-124120	Ladder frame, 120 × 135 cm, four rungs	2 pcs.	2 pcs.
R-124200	Ladder frame 200 × 135 cm, seven rungs		2 pcs.
R-124100	Protective frame, 100 × 135 cm		
R-150250	Brace, horizontal, 250 cm	4 pcs.	6 pcs.
R-154250	Brace, diagonal, 250 cm		2 pcs.
R-163250	Platform, aluminium, 60 × 250 cm with wind shield	1 pc.	2 pcs.
Z-116250	Platform, aluminium, 60 × 250 cm, with hatch and wind shield		1 pc.
R-520250	Toe board, aluminium, 135 × 250 cm	1 pc.	1 pc.
R-168210	Triangular stabiliser, small	4 pcs.	
R-168310	Triangular stabiliser, large		4 pcs.
R-168330	Stabiliser support 330 cm (Extension)		
R-169010	Counterweight with coupling, 10 kg		
R-169012	Connecting clip, short pin	4 pcs.	8 pcs.
R-135010	Mounting bracket	1 pc.	1 pc.

MATO R Rolling towers

70 cm × 250 cm.



R-111006



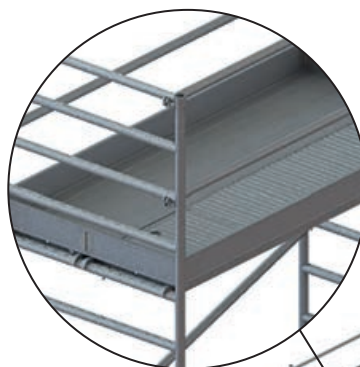
R-111008

Article no.	Elevation up to Working height	R-111006	R-111008
R-525020	Castor with 80 cm spindle with brake	4 pcs.	4 pcs.
R-120250	Structural frame, 135 × 250 cm	1 pc.	1 pc.
R-124120	Ladder frame, 120 × 135 cm, four rungs	2 pcs.	2 pcs.
R-124200	Ladder frame 200 × 135 cm, seven rungs	4 pcs.	6 pcs.
R-124100	Protective frame, 100 × 135 cm		
R-150250	Brace, horizontal, 250 cm	8 pcs.	10 pcs.
R-154250	Brace, diagonal, 250 cm	4 pcs.	6 pcs.
R-163250	Platform, aluminium, 60 × 250 cm with wind shield	3 pcs.	4 pcs.
Z-116250	Platform, aluminium, 60 × 250 cm, with hatch and wind shield	1 pc.	1 pc.
R-520250	Toe board, aluminium, 135 × 250 cm	1 pc.	1 pc.
R-168210	Triangular stabiliser, small		
R-168310	Triangular stabiliser, large	4 pcs.	4 pcs.
R-168330	Stabiliser support 330 cm (Extension)	4 pcs.	4 pcs.
R-169010	Counterweight with coupling, 10 kg		8 pcs.
R-169012	Connecting clip, short pin	12 pcs.	16 pcs.
R-135010	Mounting bracket	1 pc.	1 pc.

MATO R Rolling towers

135 cm × 250 cm.

Aluminium rolling tower 135 × 250 cm



R-112002



R-112004

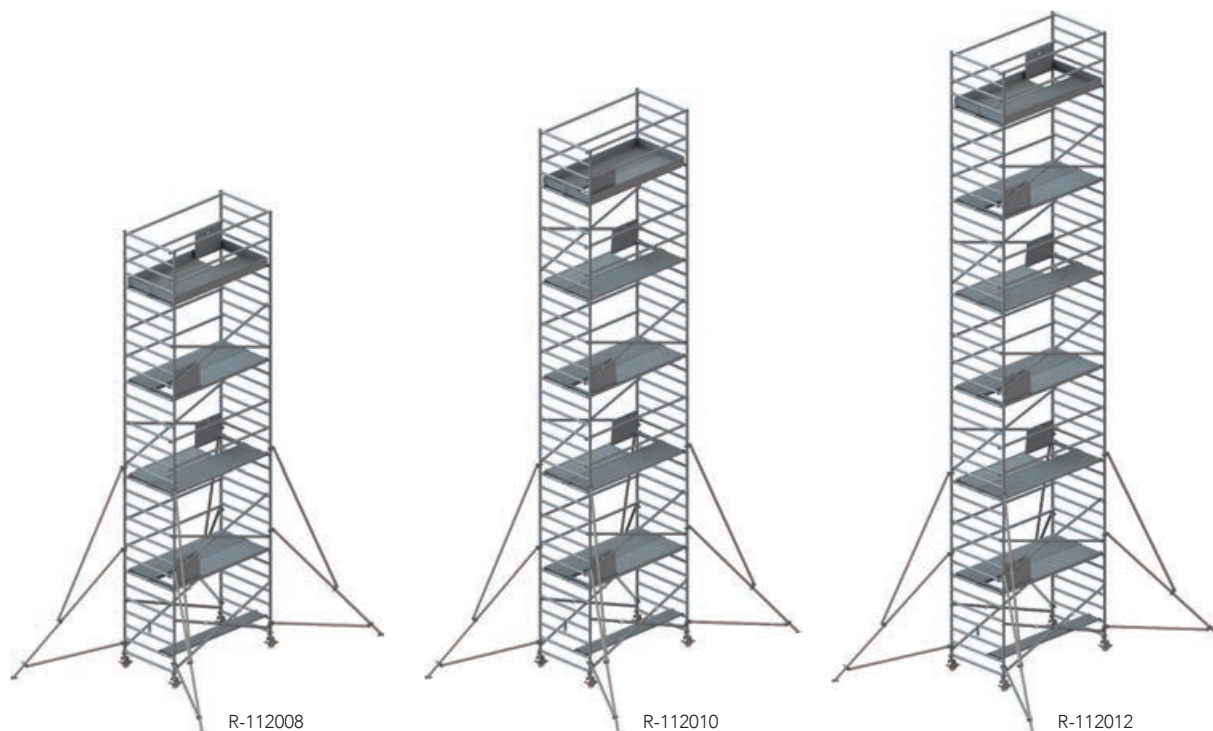


R-112006

Article no.		R-112002	R-112004	R-112006
	Elevation up to Working height	240 cm 440 cm	430 cm 630 cm	620 cm 820 cm
R-525020	Castor with 80 cm spindle with brake	4 pcs.	4 pcs.	4 pcs.
R-130250	Structural frame, 135 × 250 cm	1 pc.	1 pc.	1 pc.
R-134120	Ladder frame, 120 × 135 cm, four rungs	2 pcs.	2 pcs.	2 pcs.
R-134200	Ladder frame 200 × 135 cm, seven rungs		2 pcs.	4 pcs.
R-134100	Protective frame, 100 × 135 cm			
R-150250	Brace, horizontal, 250 cm	4 pcs.	6 pcs.	8 pcs.
R-154250	Brace, diagonal, 250 cm		2 pcs.	4 pcs.
R-160250	Platform, aluminium, 60 × 250 cm with wind shield	1 pc.	2 pcs.	3 pcs.
Z-116250	Platform, aluminium, 30 × 250 cm with wind shield		1 pc.	1 pc.
R-163250	Platform, aluminium, 60 × 250 cm, with hatch and wind shield	1 pc.	2 pcs.	3 pcs.
R-530250	Toe board, aluminium, 135 × 250 cm	1 pc.	1 pc.	1 pc.
R-168210	Triangular stabiliser, small	4 pcs.	4 pcs.	
R-168310	Triangular stabiliser, large			4 pcs.
R-168330	Stabiliser support 330 cm (Extension)			4 pcs.
R-169010	Counterweight with coupling, 10 kg			
R-169012	Connecting clip, short pin	4 pcs.	8 pcs.	12 pcs.
R-135010	Mounting bracket	1 pc.	1 pc.	1 pc.

MATO R Rolling towers

135 cm × 250 cm.

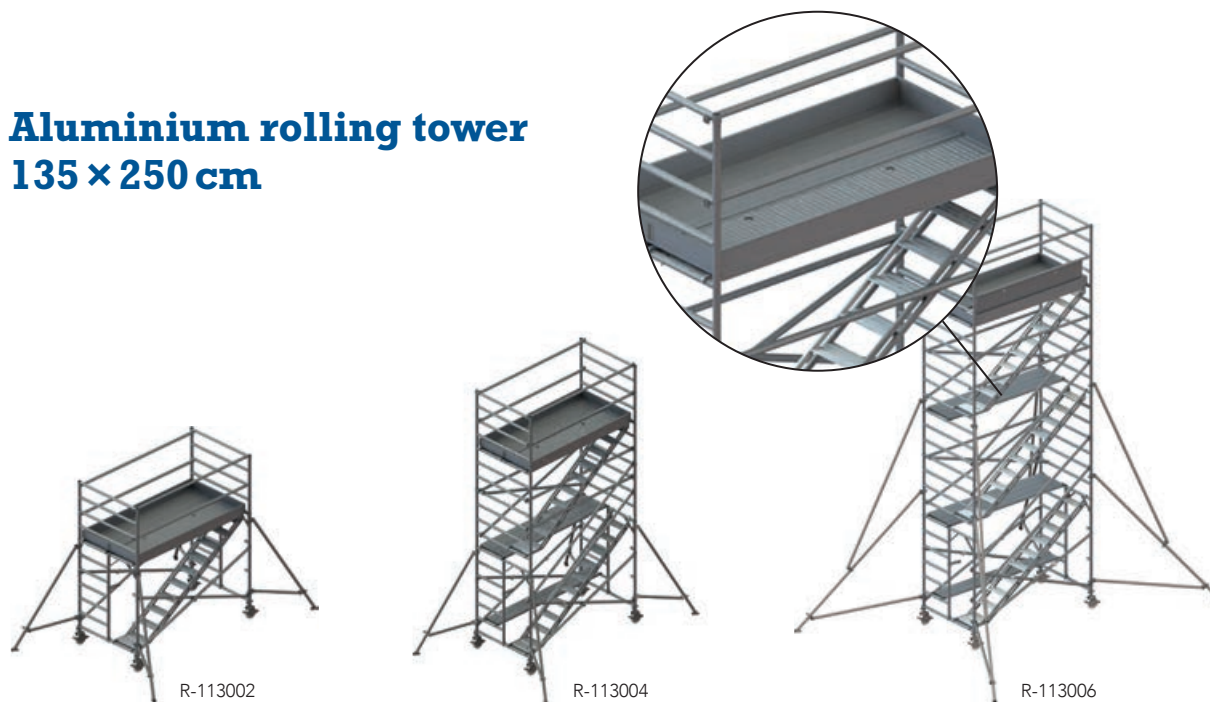


Article no.		R-112008	R-112010	R-112012
	Elevation up to Working heigh	820 cm 1020 cm	1020 cm 1200 cm	1220 cm 1390 cm
R-525020	Castor with 80 cm spindle with brake	4 pcs.	4 pcs.	4 pcs.
R-130250	Structural frame, 135 × 250 cm	1 pc.	1 pc.	1 pc.
R-134120	Ladder frame, 120 × 135 cm, four rungs	2 pcs.	2 pcs.	2 pcs.
R-134200	Ladder frame 200 × 135 cm, seven rungs	6 pcs.	8 pcs.	10 pcs.
R-134100	Protective frame, 100 × 135 cm			
R-150250	Brace, horizontal, 250 cm	10 pcs.	12 pcs.	14 pcs.
R-154250	Brace, diagonal, 250 cm	6 pcs.	8 pcs.	10 pcs.
R-160250	Platform, aluminium, 60 × 250 cm with wind shield	4 pcs.	5 pcs.	6 pcs.
Z-116250	Platform, aluminium, 30 × 250 cm with wind shield	1 pc.	1 pc.	1 pc.
R-163250	Platform, aluminium, 60 × 250 cm, with hatch and wind shield	4 pcs.	5 pcs.	6 pcs.
R-530250	Toe board, aluminium, 135 × 250 cm	1 pc.	1 pc.	1 pc.
R-168210	Triangular stabiliser, small			
R-168310	Triangular stabiliser, large	4 pcs.	4 pcs.	4 pcs.
R-168330	Stabiliser support 330 cm (Extension)	4 pcs.	4 pcs.	4 pcs.
R-169010	Counterweight with coupling, 10 kg			
R-169012	Connecting clip, short pin	16 pcs.	20 pcs.	24 pcs.
R-135010	Mounting bracket	1 pc.	1 pc.	1 pc.

MATO R Rolling towers

135 cm × 250 cm with stairs.

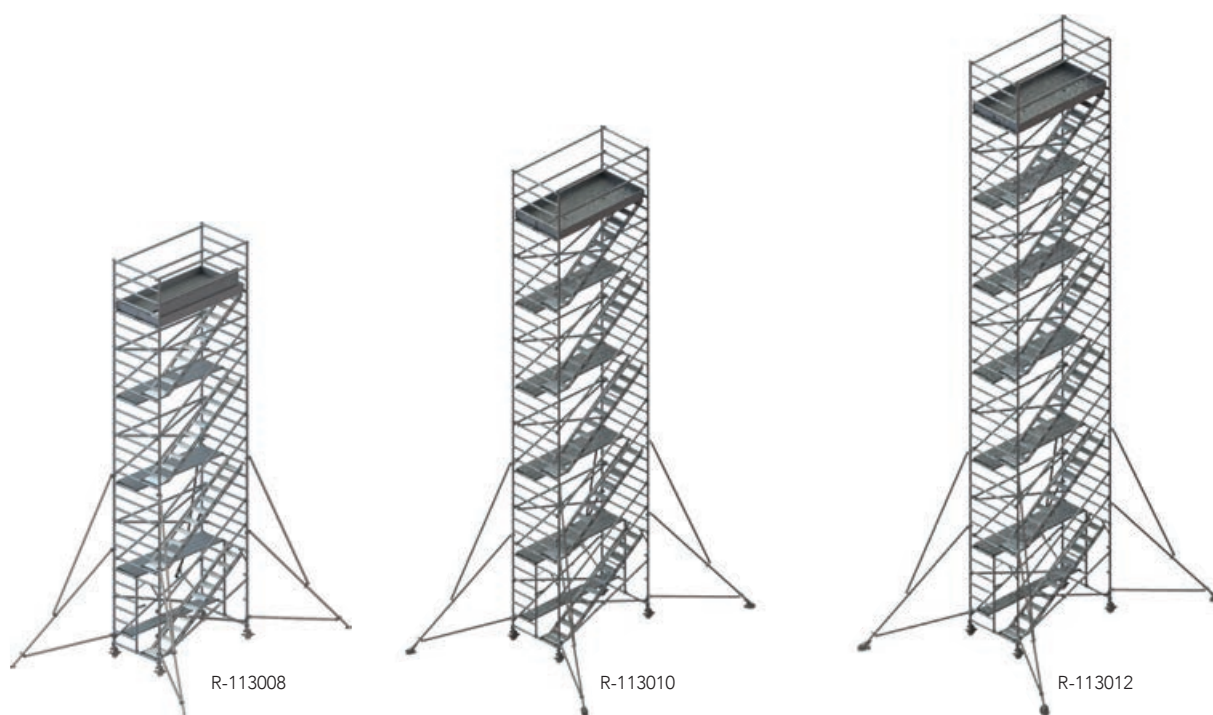
Aluminium rolling tower 135 × 250 cm



Article no.		R-113002	R-113004	R-113006
	Elevation up to Working height	240 cm 440 cm	430 cm 630 cm	620 cm 820 cm
R-525020	Castor with 80 cm spindle with brake	4 pcs.	4 pcs.	4 pcs.
R-132250	Structural frame, 135 × 250 cm	1 pc.	1 pc.	1 pc.
R-134120	Ladder frame, 120 × 135 cm, four rungs	2 pcs.	2 pcs.	2 pcs.
R-134200	Ladder frame 200 × 135 cm, seven rungs		2 pcs.	4 pcs.
R-134100	Protective frame, 100 × 135 cm			
R-150250	Brace, horizontal, 250 cm	4 pcs.	7 pcs.	8 pcs.
R-154250	Brace, diagonal, 250 cm		2 pcs.	4 pcs.
R-160250	Platform, aluminium, 60 × 250 cm with wind shield	1 pc.	2 pcs.	3 pcs.
Z-116250	Platform, aluminium, 30 × 250 cm with wind shield		1 pc.	1 pc.
R-165250	Platform, aluminium, 60 × 250 cm, with full-length hatch	1 pc.	1 pc.	1 pc.
R-573250	Aluminium stairs, 250 cm	1 pc.	2 pcs.	3 pcs.
R-173250	Staircase handrail, 250 cm		2 pcs.	4 pcs.
R-530250	Toe board, aluminium, 135 × 250 cm	1 pc.	1 pc.	1 pc.
R-168210	Triangular brace, small	4 pcs.	4 pcs.	
R-168310	Triangular brace, large			4 pcs.
R-168330	Stabiliser support 330 cm (Extension)			4 pcs.
R-169010	Counterweight with coupling, 10 kg			
R-169012	Connecting clip, short pin	4 pcs.	8 pcs.	12 pcs.
R-135010	Mounting bracket	1 pc.	1 pc.	1 pc.

MATO R Rolling towers

135 cm × 250 cm with stairs.



Article no.		R-113008	R-113010	R-113012
	Elevation up to Working height	820 cm 1020 cm	1020 cm 1200 cm	1220 cm 1390 cm
R-525020	Castor with 80 cm spindle with brake	4 pcs.	4 pcs.	4 pcs.
R-132250	Structural frame, 135 × 250 cm	1 pc.	1 pc.	1 pc.
R-134120	Ladder frame, 120 × 135 cm, four rungs	2 pcs.	2 pcs.	2 pcs.
R-134200	Ladder frame 200 × 135 cm, seven rungs	6 pcs.	8 pcs.	10 pcs.
R-134100	Protective frame, 100 × 135 cm			
R-150250	Brace, horizontal, 250 cm	9 pcs.	10 pcs.	13 pcs.
R-154250	Brace, diagonal, 250 cm	6 pcs.	8 pcs.	10 pcs.
R-160250	Platform, aluminium, 60 × 250 cm with wind shield	4 pcs.	5 pcs.	6 pcs.
Z-116250	Platform, aluminium, 30 × 250 cm with wind shield	1 pc.	1 pc.	1 pc.
R-165250	Platform, aluminium, 60 × 250 cm, with full-length hatch	1 pc.	1 pc.	1 pc.
R-573250	Aluminium stairs, 250 cm	4 pcs.	5 pcs.	6 pcs.
R-173250	Staircase handrail, 250 cm	6 pcs.	8 pcs.	10 pcs.
R-530250	Toe board, aluminium, 135 × 250 cm	1 pc.	1 pc.	1 pc.
R-168210	Triangular brace, small			
R-168310	Triangular brace, large	4 pcs.	4 pcs.	4 pcs.
R-168330	Stabiliser support 330 cm (Extension)	4 pcs.	4 pcs.	4 pcs.
R-169010	Counterweight with coupling, 10 kg			
R-169012	Connecting clip, short pin	16 pcs.	20 pcs.	24 pcs.
R-135010	Mounting bracket	1 pc.	1 pc.	1 pc.

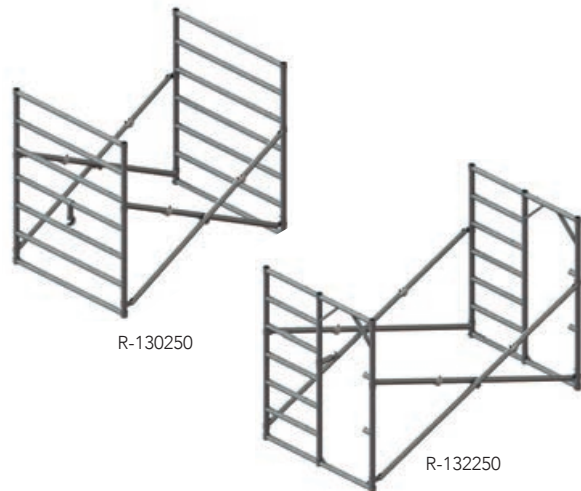
MATO R Rolling towers

The frame.

Structural frame

Article no.	Length	Width	Height	Weight
R-120190	190cm	70cm	200cm	21,2kg
R-120250	250cm	70cm	200cm	22,5kg
R-130190	190cm	135cm	200cm	30,8kg
R-130250	250cm	135cm	200cm	32,4kg
R-132250*	250cm	135cm	200cm	31,3kg

*With opening for stairs



Ladder frame, four rungs

Article no.	Height	Width	Weight
R-124120	120cm	70cm	4,5kg
R-134120	120cm	135cm	6,4kg



R-124120



R-134120

Ladder frame, seven rungs

Article no.	Height	Width	Weight
R-124200	200cm	70cm	7,2kg
R-134200	200cm	135cm	10,5kg



R-124200



R-134200

Protective frame

Article no.	Height	Width	Weight
R-124100	100cm	70cm	3,4kg
R-134100	100cm	135cm	4,3kg



R-134100

MATO R Rolling towers

Brace and railing.



Brace, horizontal

Article no.	Length	Weight
R-150190	190cm	2,1 kg
R-150250	250cm	2,5 kg



R-150250

Brace, diagonal

Article no.	Length	Weight
R-154190	190cm	2,2 kg
R-154250	250cm	2,5 kg



R-154250

Double rail

Article no.	Length	Height	Weight
R-152190	190cm	55 cm	6,1 kg
R-152250	250cm	55 cm	7,7 kg



R-152250

Mounting bracket

Article no.	Width	Weight
R-135010	55 cm	1,8 kg



R-135010

Castor with spindle and brake

- Height adjustable at \varnothing 20 cm
- Diameter roll 20 cm

Article no.	Height	Weight	Load capacity
R-525020	80 cm	8,1 kg	700 kg / Stationary 1190 kg



R-525020

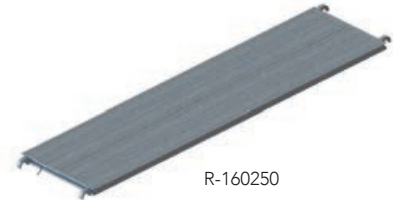
MATO R Rolling towers

Decking and toe board.

Full-aluminium deck

- With wind shield

Article no.	Length	Width	Weight	Load capacity
R-160190	190cm	60cm	12,3kg	600kg/m ²
R-160250	250cm	60cm	15,6kg	450kg/m ²



R-160250

Full-aluminium deck

- With half full-length hatch for mobile staircase scaffolding
- With wind shield

Article no.	Length	Width	Weight	Load capacity
R-163190	190cm	60cm	15,5kg	600kg/m ²
R-163250	250cm	60cm	20,2kg	450kg/m ²



R-163250

- With full-length hatch for mobile staircase scaffolding, with wind shield
- Suitable for R-113002 and R-113010

Article no.	Length	Width	Weight	Load capacity
R-165250	250cm	60cm	20,0kg	450kg/m ²

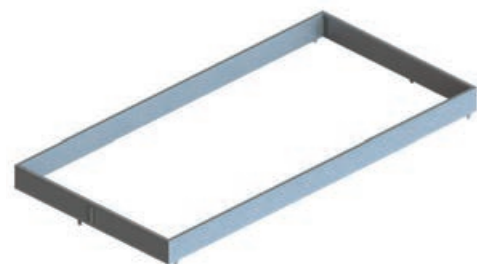


R-165250

Aluminium toe board

- Labelling possible
- Also available in powder-coated aluminium

Article no.	Height	Width	Weight
R-520190	190cm	70cm	6,3kg
R-520250	250cm	70cm	7,6kg
R-530190	190cm	135cm	7,6kg
R-530250	250cm	135cm	8,9kg



R-520250

MATOR Rolling towers

Stabiliser and couplings.



Triangular stabiliser

- Small

Article no.	Weight
R-168210	4,8 kg

- Large

Article no.	Weight
R-168310	6,0 kg



R-168210

Stabiliser support

Article no.	Length	Weight
R-168330	330 cm	3,7 kg



R-168330

Wall stabiliser coupling

Article no.	Weight
R-151005	0,9 kg



R-151005

Wall stabiliser brace

- With short-end protection

Article no.	Length	Weight
R-151130	130cm	1,0 kg



R-151130

Counterweight with coupling

- Galvanised

Article no.	Length	Wide	Weight
R-169010	12,5cm	10 cm	10,7 kg



R-169010

MATOR Rolling towers

Stairs and Ladder.

Aluminium stairs

Article no.	Length	Width	Weight
R-573250	250cm	45 cm	15,7 kg



R-573250

Ladder with stabiliser

- Six rungs

Article no.	Weight
R-575150	8,2kg



R-575150

Stair handrail

- Suitable for stairs R-573250

Article no.	Field length	Weight
R-173250	250cm	2,8 kg



R-173250

Connecting clip, short pin

Article no.	Weight
R-169012	40 g



R-169012

Connecting clip, long pin

Article no.	Weight
R-169014	50 g



R-169014

MATOR Rolling towers

Experiencing service quality.



Speed

Fast service – convenience for the customer.

Accuracy

We track the life cycle of our products and measure our services consistently.

Efficiency

We strive to combine speed and accuracy – and help you to reduce your costs.

Accessibility

We strive to provide first-class customer service – at all times.

Openness

If you're happy with us, please recommend us to others – otherwise, we welcome your suggestions at any time.

Responsibility

Maximum safety through certified products.



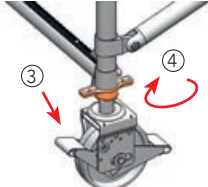


Innovation

We will never stop – Tobler stands for innovation in scaffolding



MATOR Rolling towers

Instructions for assembly and disassembly.

1. Structural frame folded up (Delivery condition).

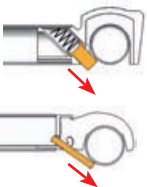
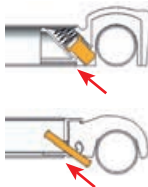

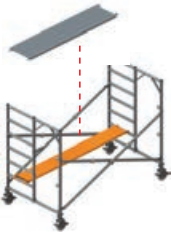
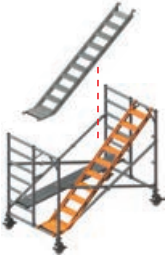
2. Insert the castor up to the stop.

3. Depress the brake.

4. Adjust the height by turning the spindle nut.

5. Pull the structural frame apart (one person).

6. Disassembly: To fold up the structural frame, press the clips down.





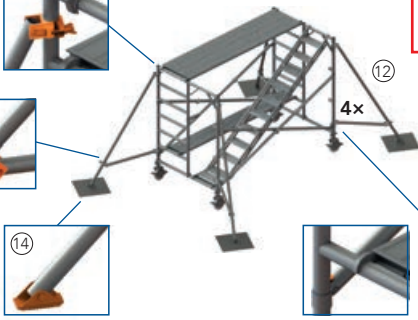
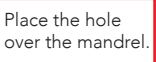

7. The wind shield is depicted as a pin. In the case of the platform, check whether the wind shield has slipped down, in te case of the brace the spring secures it.

8. **Disassembly:** To release, push the wind shield back.

9. Make sure that the hook lies between post and rivet.

10. Insert the platform.

11. Insert the staircase.






12. Placement of the small triangular stabiliser.

13. Push the hole in the lower coupling over the mandrel.

14. Press the foot of the triangular stabiliser onto the ground. Use a timber underlay.

15. Push the poles into position and firmly tighten the wing nuts.

Place the hole over the mandrel.

16. Insert the ladder frame.

17. Before that, however, release the spring clip ...

17. ...and subsequently insert it again. It must not be pulled out completely.

18. Attach the horizontal brace.

19. Hold the ladder frame up and hook it into the horizontal brace.

20. Insert the ladder frame into the frame.

MATOR Rolling towers

Instructions for assembly and disassembly.



21. Attach the staircase handrail.

22. Insert platform and diagonal brace.

23. Insert the ladder frame.

24. Hook in the mounting bracket.

25. Insert the ladder frame in the mounting bracket.

26. Attach the horizontal braces.

27. Pull the ladder frame up with the aid of the mounting bracket.

28. Insert the ladder frame into the frame.

29. Attach the horizontal braces.

30. Insert the staircase.

31. Attach the horizontal brace.

32. Insert the platform.

33. Attach the horizontal brace.

34. Use the entire width for standing on with a hatch platform.

35. Unfold the toe board and position it so that the toe board studs grasp the platform.

Disassembly takes place in the reverse order.



Building together

We focus on collaboration and good ideas that deliver significant savings.

On the following pages, we would like to give you an overview of our product lines and product groups.









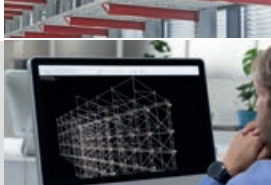
Built to fully meet your expectations, our product portfolio comprises over 30'000 part numbers at the time of printing. New products, all of which have undergone long-term development, are added weekly.










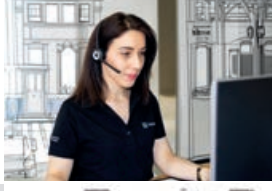

Chiara and Martin Tobler



MATO Scaffolding

<p>Facade scaffoldings</p>	<p>MATO 1 MATO 2</p>	<p>MATO 53 CK compatible with your existing scaffolding MATO 54 Lay MATO 62 Ple MATO 65 Hün</p>	
<p>All-in-one scaffolding system</p>	<p>MATO 3 MATO 8</p>	<p>MATO Connect Road Bridge MATO Connect Bridge Beam</p>	
<p>Roof systems</p>	<p>MATO Pro</p>	<p>MATO Pro Anti-fall protection MATO Pro Temporary roof systems MATO Pro Walkway roofing</p>	
<p>Mobile scaffoldings</p>	<p>MATO R</p>	<p>MATO R Profi MATO R Pro MATO R One Man Tower MATO R Eco</p>	
<p>Work scaffolding on construction sites</p>	<p>MATO T</p>	<p>MATO T Stair towers MATO T Cable bridges MATO T Ramps for site access MATO T Scaffoldings for Concreting and Reinforcement</p>	
<p>Events</p>	<p>MATO E</p>	<p>MATO E Stages & Tribunes MATO E Event-Service/Support MATO E R & D</p>	
<p>Accessories</p>	<p>MATO Z</p>	<p>MATO Z Scaffolding accessories MATO S Safety accessories MATO B Construction devices Tobler Logistics</p>	
<p>Storage solutions</p>	<p>Tobler Storage</p>	<p>Tobler Cantilever Shelving Tobler Pallet Shelving Tobler Floor Special Shelving Tobler Lattice boxes/Steel boxes Tobler Pallets and Racks</p>	
<p>Services</p>	<p>Tobler Services</p>	<p>R & D/Static calculations/CAD/Trainings/ Customer solutions/ Customized Solutions / Finance and Consulting Second hand/Trade-in old for new</p>	

Tobler Formwork

<p>Wall formwork</p>	<p>Tobler Wall</p>	<p>Tobler Top Tobler Manu Master Pro (Ringer) Master steel/ alu (Ringer) System 2000 steel/ alu (Ringer)</p>	
<p>Slab formwork</p>	<p>Tobler Sky</p>	<p>Tobler Deck Tobler Desk Slab Table/ Kart Tobler Flex AluDEK (Ringer) DEKplus Slab Table (Ringer)</p>	
<p>Individual formwork</p>	<p>Tobler I</p>	<p>Tobler Rex Girder wall formwork Tobler Varia Circular formwork Tobler Project Special formwork</p>	
<p>Shoring systems</p>	<p>Tobler H</p>	<p>Tobler Tower Heavy-Duty Props Tobler T22 Load-bearing system</p>	
<p>Work scaffolding on construction sites</p>	<p>MATO T</p>	<p>MATO T Reinforcement scaffolding MATO T Ramps for site access, MATO T Towers/ Cable bridges MATO R Pro/ Eco MATO R One Man Tower</p>	
<p>Engineering</p>	<p>Tobler Kit</p>	<p>MATO 3 MATO 8 MATO Connect Road Bridge MATO Connect Bridge Beam</p>	
<p>Accessories</p>	<p>Tobler Accessories</p>	<p>Tobler Formwork accessories Tobler Construction devices Tobler Logistics Tobler Storage solutions</p>	
<p>Services</p>	<p>Tobler Services</p>	<p>Tobler Rent Tobler ForU Tobler Care Tobler Revalued</p>	
<p>Digital services</p>	<p>my Tobler</p>	<p>Tobler Formwork planner Tobler Engineering</p>	



At home in Switzerland – anchored in Europe

We are developing the internationalisation of
our product range.



**Order
& advice**
bestellung@tobler-ag.com
+41 71 886 06 06

Copyright 2024 Tobler AG / 03.2024

« MATOR lets you reach high areas faster and
more efficiently with maximum safety. Our mobile
scaffolding is tested, its electrical conductivity
is certified by SWISS TS. »



Markus Etter
Sales Manager
Scaffolding

